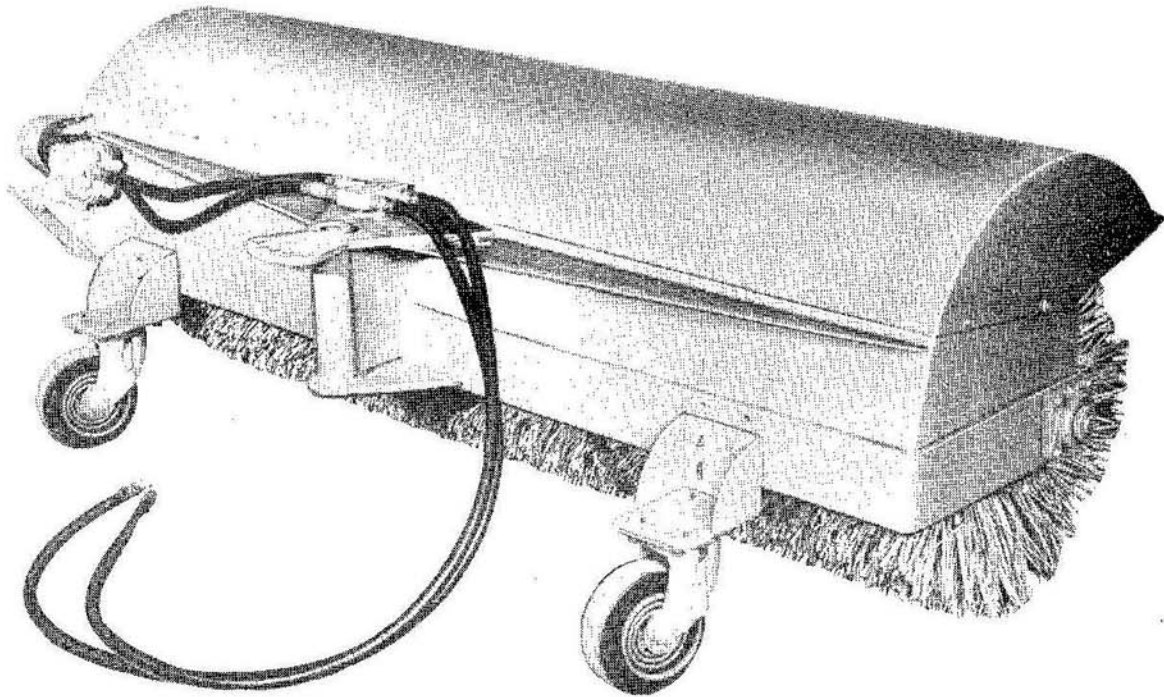


# DEARBORN SWEEPERS

Series 721

## PARTS BOOK



JUNE, 1961

TRACTOR AND IMPLEMENT DIVISION

*Ford Motor Company*

2500 East Maple Road, Birmingham, Michigan

# SWEEPERS

## MODEL INDEX

<u>MODEL NO.</u>	<u>DESCRIPTION</u>	<u>GROUP NO.</u>
19-262	60" Pick Up Sweeper	1-1
19-263	Gutter Brush for Pick Up Sweeper	2-1
19-264	Kit, Pressure Sprinkler System	2-2
19-265	Kit, Gravity Sprinkler System	2-3
19-266	60" Angle Broom	3-1
19-267	72" Angle Broom	3-1
19-268	84" Angle Broom	3-1
19-269	Kit, Attaching, Angle Broom to 703, 712, 720 Loaders	4-2
19-270	Kit, Attaching, Angle Broom to Category I Hitch	4-3
19-271	Kit, Attaching, Angle Broom to Ford Tractor Fronts	4-5
19-272	Kit, Attaching, Angle Broom to 705 Dozer Frame	4-4
19-273	Kit, Attaching, Angle Broom to 718 Fork Lift	4-1
19-274	Kit, Hydraulic, Angle Broom, Used W/ Models 19-270,271,272 Kits	4-6

# SWEEPERS

## GROUP INDEX

<u>GROUP NO.</u>	<u>DESCRIPTION</u>	<u>PAGE NO.</u>
1-1	60" Sweeper Parts (Model 19-262)	4, 5
2-1	Pickup Sweeper Gutter Brush Attach. (Model 19-263)	7
2-2	Pickup Sweeper Sprinkler Attach. (Model 19-264)	9
2-3	Pickup Sweeper Fork Lift Mtg. Attach. (Model 19-265)	11
3-1	60" Angle Broom (Model 19-266)	14,15
	72" Angle Broom (Model 19-267)	14,15
	84" Angle Broom (Model 19-268)	14,15
4-1	Kit, Angle to Fork Lift (Model 19-273)	16
4-2	Kit, Angle Broom to Loader (Model 19-269)	19
4-3	Kit, Angle Broom to Tractor - Rear (Model 19-270)	20
4-4	Kit, Angle Broom to Dozer Frame (Model 19-272)	21
4-5	Kit, Angle Broom to Tractor - Front (Model 19-271)	23
4-6	Kit, Hydraulic Angle Broom (Model 19-274)	24, 25

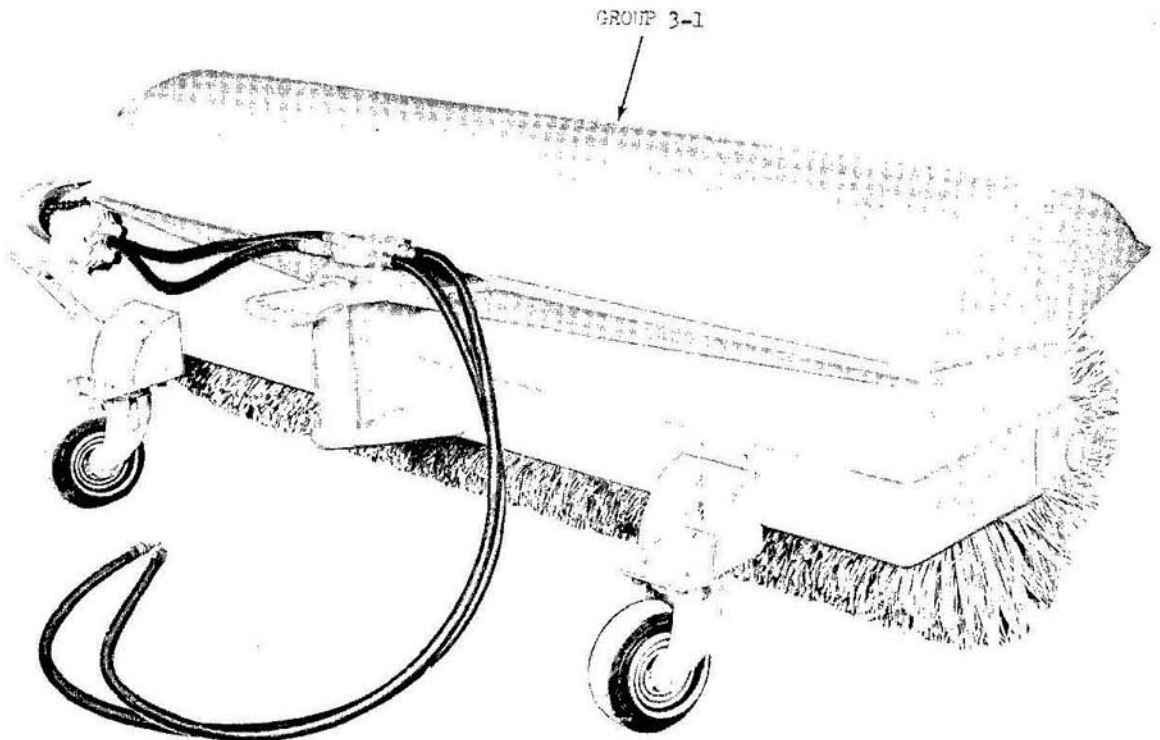


Figure A - Model 19-262 60" Pickup Sweeper

# SWEEPERS

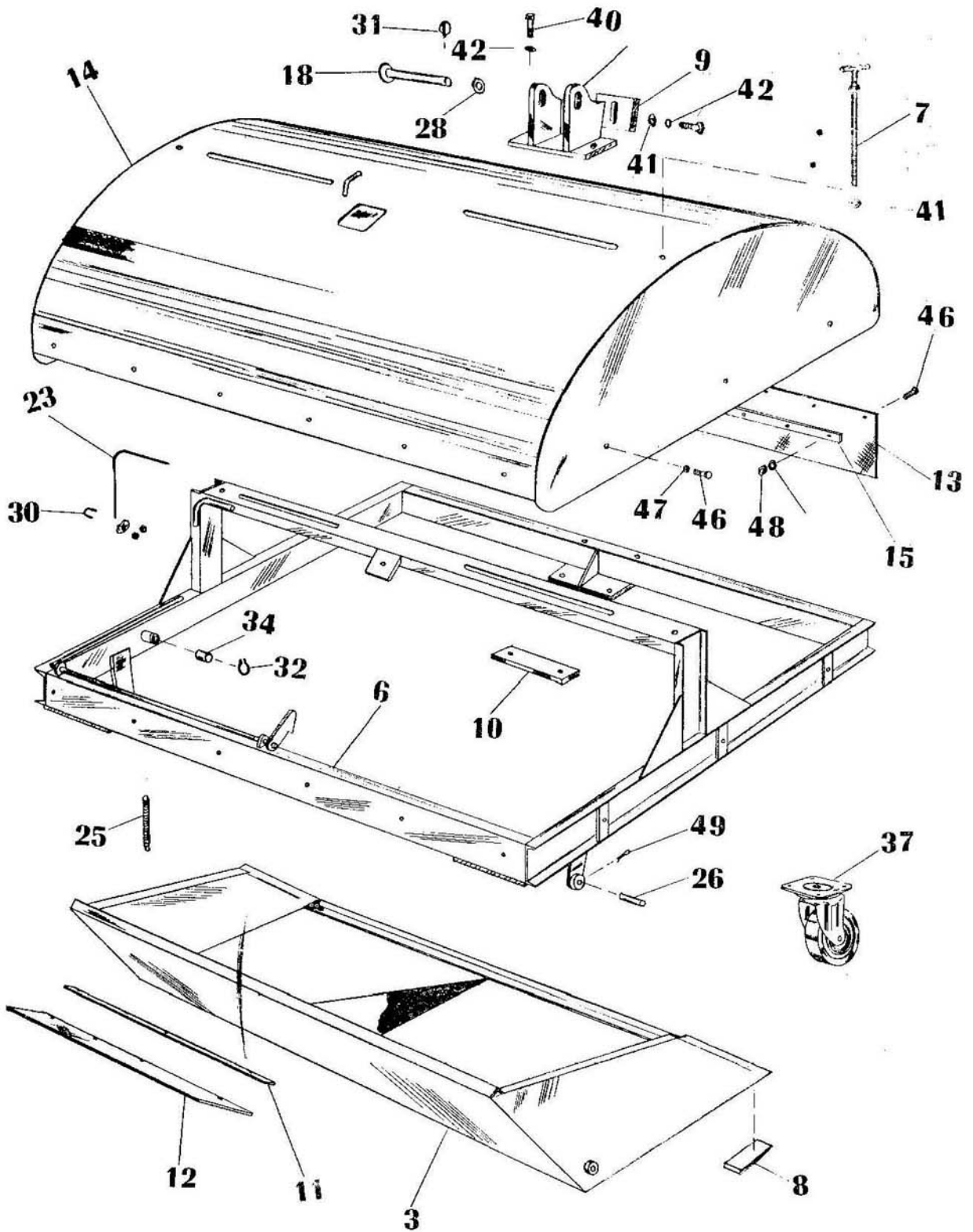
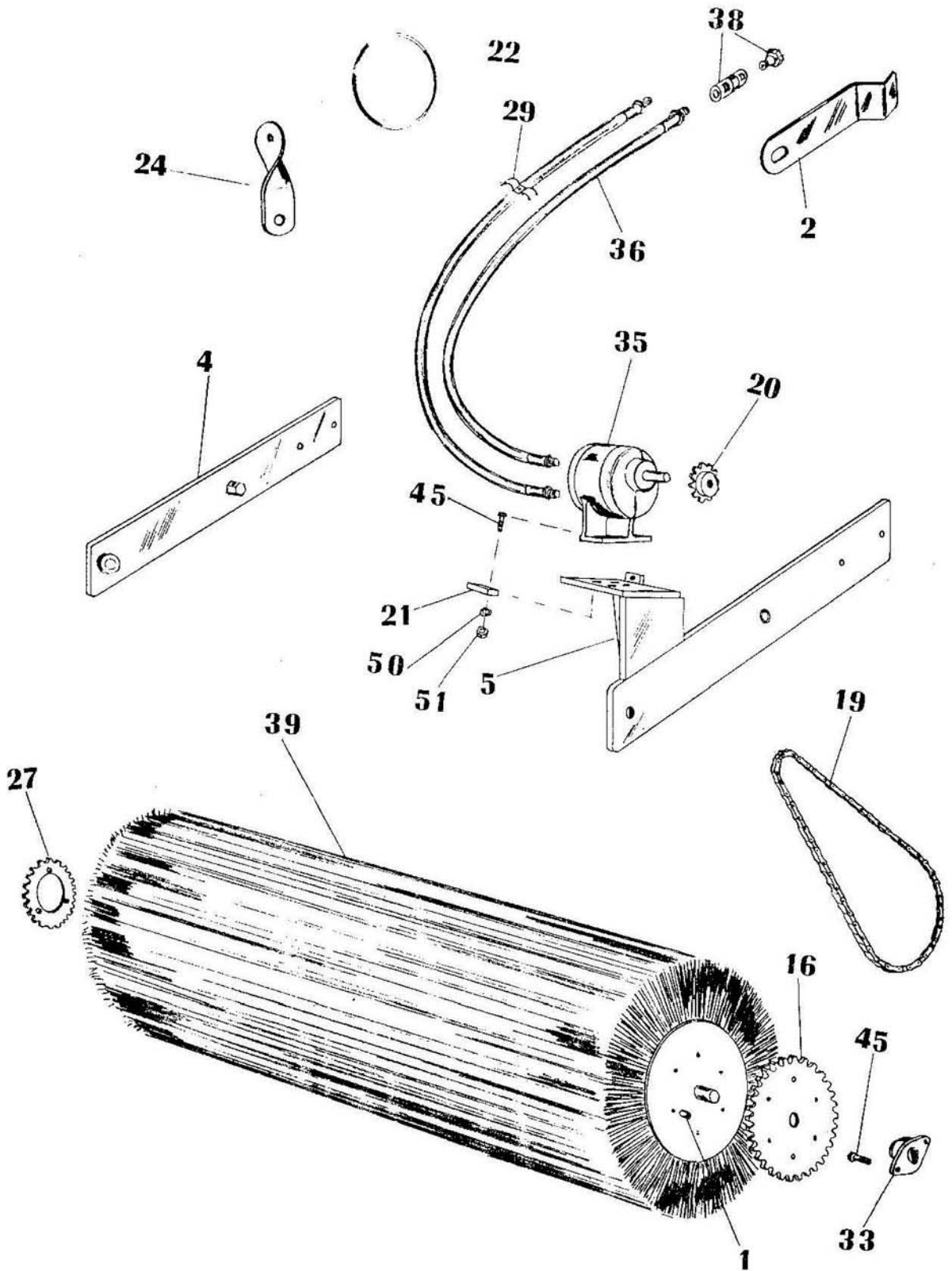


Figure 1 --

# SWEEPERS



-- Model 19-262 Pickup Sweeper

# SWEEPERS

FIG.	PART NO.	NAME AND DESCRIPTION	QTY. REQ.
1		<u>GROUP 1-1 SWEEPER PARTS</u>	19-262
1	197744	SPACER . . . . .	6
2		HANDLE LOCK VALVE . . . . .	1
3	197867	DUST PAN ASSEMBLY . . . . .	1
4	197853	ARM ASSEMBLY, Broom, Right . . . . .	1
5	197859	ARM ASSEMBLY, Broom, Left . . . . .	1
6	197799	FRAME ASSEMBLY . . . . .	1
7	197846	ROD ASSEMBLY, Broom Adjusting . . . . .	2
8	197873 NS	LIP, Dust Pan Short . . . . .	1
9	197827	STOP, Adjusting . . . . .	2
10	197828	NUT, Bar Mounting . . . . .	2
11	197833	CLAMP, Shroud Dust Pan . . . . .	2
12	197834	SHROUD, Dust Pan . . . . .	2
13	197835	SHROUD, Sweeper . . . . .	1
14	197825	HOOD ASSEMBLY . . . . .	1
15	197836	CLAMP, Shroud, Sweeper . . . . .	1
16	197837	SPROCKET, 72 Tooth . . . . .	1
17	197849	MOUNTING ASSEMBLY . . . . .	2
18	197838	PIN ASSEMBLY, Mounting . . . . .	2
19	197839 NS	CHAIN ASSEMBLY, 105 Links, #40, 1/2" . . . . .	1
--		LINK, Riveted (Service from 173023) . . . . .	105
--	164152	LINK, Conn W/Snap Link . . . . .	1
--	173023	CHAIN, 100 Links, 1/2", #40 . . . . .	AR
20	197739	SPROCKET, 12 Tooth . . . . .	1
--	300138-S8	SCREW, 3/8 - 16 x 3/8 Hdless Cup Pt Set - Sprkt to Mtr	2
21	197840	SPACER, Motor . . . . .	2
22	197841	RING, Cable . . . . .	1
23	197842	CABLE, Bucket Release . . . . .	1
24	197843	GUIDE, Cable . . . . .	1
25	197844	SPRING, Extension . . . . .	1
26	197845	PIN, Pivot Dust Pan . . . . .	2
27	197763	SPROCKET, 42 Tooth . . . . .	1
28	198034	WASHER, Flat . . . . .	2
29	197742	CLIP, Hose . . . . .	1
30	198537	CLAMP, Cable . . . . .	2
31	198041	PIN ASSEMBLY, Linch . . . . .	2
32	97537-S	RING, 1-1/2 Snap . . . . .	1
33	197741	BEARING ASSEMBLY, Flange . . . . .	2
34	198031	BEARING, Gutter Brush . . . . .	2
35	197747	MOTOR ASSEMBLY, Hydraulic . . . . .	1
36	197826	HOSE ASSEMBLY, Hydraulic . . . . .	2
--	353831-S	REDUCER, 3/4 x 1/2 Std . . . . .	2

# SWEEPERS

FIG.	PART NO.	NAME AND DESCRIPTION	QTY. REQ.
1		<u>GROUP 1-1 SWEEPER PARTS (Cont'd)</u>	19-262
37	197748	CASTOR ASSEMBLY, Broom . . . . .	3
		Consists of:	
--	198535	FORK ASSEMBLY, Castor Swivel . . . . .	3
--	198037	WHEEL ASSEMBLY . . . . .	3
--	198040	SPRING ASSEMBLY . . . . .	3
--	198038	BOLT, 3/4 - 16 x 4 )	3
--	198039	WASHER, Thrust ) Wheel & Spring to Fork	6
--	198036	NUT, 3/4 - 16 Torque)	3
38	198025	COUPLING, Male . . . . .	4
--	198024	COUPLING, Female . . . . .	2
39	198133	BROOM ASSEMBLY, 60" (100% Palmyra) . . . . .	1
		Consists of:	
--	197764	CORE ASSEMBLY . . . . .	1
--	72075-S8	COTTER PIN, 1/4 x 1-1/2 - Broom Arms to Frame . . . . .	1
--	91289-S	SCREW, 3/8 - 16 x 2 Sq Hd Oval Pt Set) To Adjust	1
--	33924-S8	NUT, 3/8 - 16 Hex ) Motor	1
--	302724-S8	BOLT, 7/16 - 1 1/4 x 1-3/4 Hex - Motor to Motor Mount .	4
--	303181-S8	BOLT, 1/2 - 13 x 3/4 Hex - Castors to Frame . . . . .	12
--	303197-S8	BOLT, 3/8 - 16 x 1 Hex - Sprkt to Sprkt Mtg Boss . .	3
--	302726-S8	BOLT, 7/16 - 1 1/4 x 2 Hex)	8
--	44732-S8	WASHER, 7/16 Flat ) Core to Core Anchor Blocks	8
40	302774-S8	BOLT, 1/2 - 13 x 1-3/4 Hex . . . . .	6
41	44736-S8	WASHER, 1/2 Flat . . . . .	6
42	34809-S8	LOCKWASHER, 1/2 . . . . .	12
43	303221-S8	BOLT, 1/2 - 13 x 1-1/4 Hex . . . . .	4
44	33845-S8	NUT, 1/2 - 13 Hex . . . . .	4
45	303199-S8	BOLT, 7/16 - 1 1/4 x 1-1/4 Hex . . . . .	4
46	303175-S8	BOLT, 5/16 - 18 x 3/4 Hex . . . . .	28
47	34806-S8	LOCKWASHER, 5/16 . . . . .	28
48	33797-S8	NUT, 5/16 - 18 Hex . . . . .	17
49	72109-S8	COTTER PIN, 3/16 x 2 . . . . .	2
50	34808-S7	LOCKWASHER, 7/16 . . . . .	4
51	34670-S7	NUT, 7/16 - 1 1/4 Hex . . . . .	4
--	198207	ADAPTER, 37° Str Female . . . . .	AR
--	198208	ADAPTER, 37° Str Male . . . . .	AR
--	358917-S	REDUCER, 1/2 to 3/8 . . . . .	AR
--	304008-S	NIPPLE, 3/8 x 1-1/8 Pipe . . . . .	AR
--	202234	DECAL . . . . .	AR

# SWEEPERS

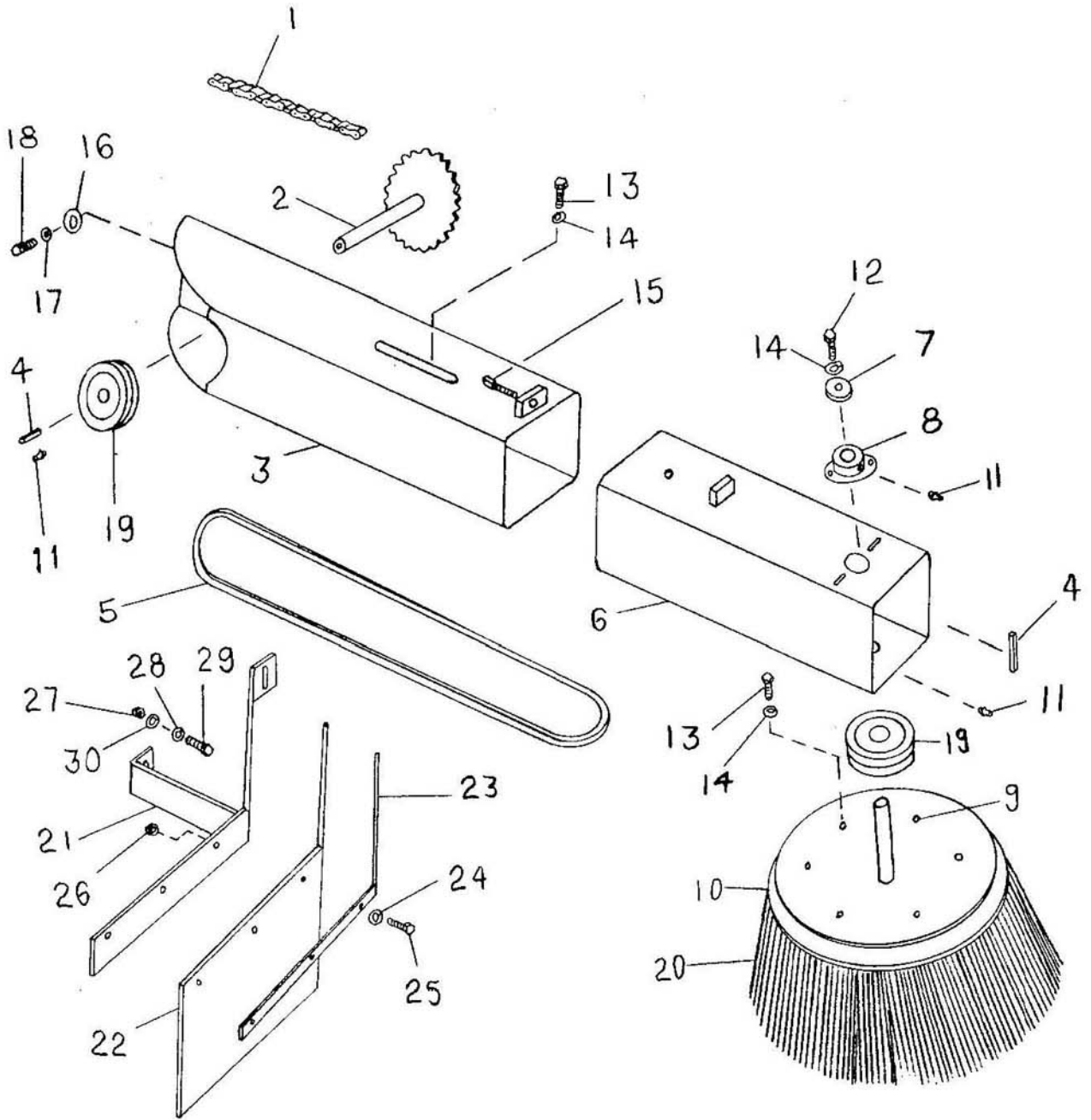


Figure 2 - Gutter Brush Attachment



# SWEEPERS

FIG.	PART NO.	NAME AND DESCRIPTION	QTY. REQ.
2		<u>GROUP 2-1 PICK-UP SWEEPER GUTTER BRUSH ATTACH</u>	19-263
1	197725 NS	CHAIN ASSEMBLY, 99 Links, 1/2", #40 . . . . .	1
-		LINK, Riveted (Service from 173023) . . . . .	99
-	164152	LINK, Connector W/Snap Link . . . . .	1
-	173023	CHAIN, 100 Links, 1/2", #40 . . . . .	AR
2	197724	SHAFT ASSEMBLY, Jack . . . . .	1
3	197717	ARM ASSEMBLY, Gutter Brush . . . . .	1
4	197727	KEY, 3/16 x 3/16 x 1-1/4 . . . . .	2
5	198027	BEIT, Drive . . . . .	2
6	197721	ARM ASSEMBLY, Gutter Brush . . . . .	1
7	197729	WASHER, Thrust . . . . .	1
8	197726	BEARING ASSEMBLY, Flange . . . . .	2
9	197713	SPINDLE ASSEMBLY, Gutter Brush . . . . .	1
10	197732	PLATE, Core Gutter Brush . . . . .	1
11	87901-S8	FITTING, 1/8 - 27 Straight Lube - Jack Shaft . . . . .	2
12	303175-S8	BOLT, 5/16 - 18 x 3/4 Hex . . . . .	13
13	303195-S8	BOLT, 5/16 - 18 x 1 Hex . . . . .	3
14	34806-S7	LOCKWASHER, 5/16 . . . . .	2
15	198569	SCREW, 3/8 - 16 x 3 Sq Hd Cup Pt Set . . . . .	1
16	44735-S8	WASHER, 1/2 Flat . . . . .	2
17	34809-S8	LOCKWASHER, 1/2 . . . . .	2
18	303201-S8	BOLT, 1/2 - 13 x 1 Hex . . . . .	2
19	198026	PULLEY, Drive . . . . .	2
20	197728	BRISTLE, Gutter Brush (Steel) . . . . .	1
21	197710	SHROUD ASSEMBLY, Gutter Brush . . . . .	1
22	198030	SHROUD . . . . .	1
23	198029	BAR, Clamp Shroud . . . . .	1
24	34806-S7	LOCKWASHER, 5/16 . . . . .	16
25	303195-S8	BOLT, 5/16 - 18 x 1 Hex . . . . .	4
26	33797-S8	NUT, 5/16- 18 Hex . . . . .	8
27	34670-S7	NUT, 7/16 - 14 Hex . . . . .	2
28	44732-S8	WASHER, 7/16 Flat . . . . .	2
29	303239-S8	BOLT, 7/16 - 14 x 1-1/2 Hex . . . . .	2
30	34808-S7	LOCKWASHER, 7/16 . . . . .	2
--	197731	PLATE, Stiffener . . . . .	1
--	198028	SPACER . . . . .	1
--	197730	BAR, Nut Gutter Brush . . . . .	1

# SWEEPERS

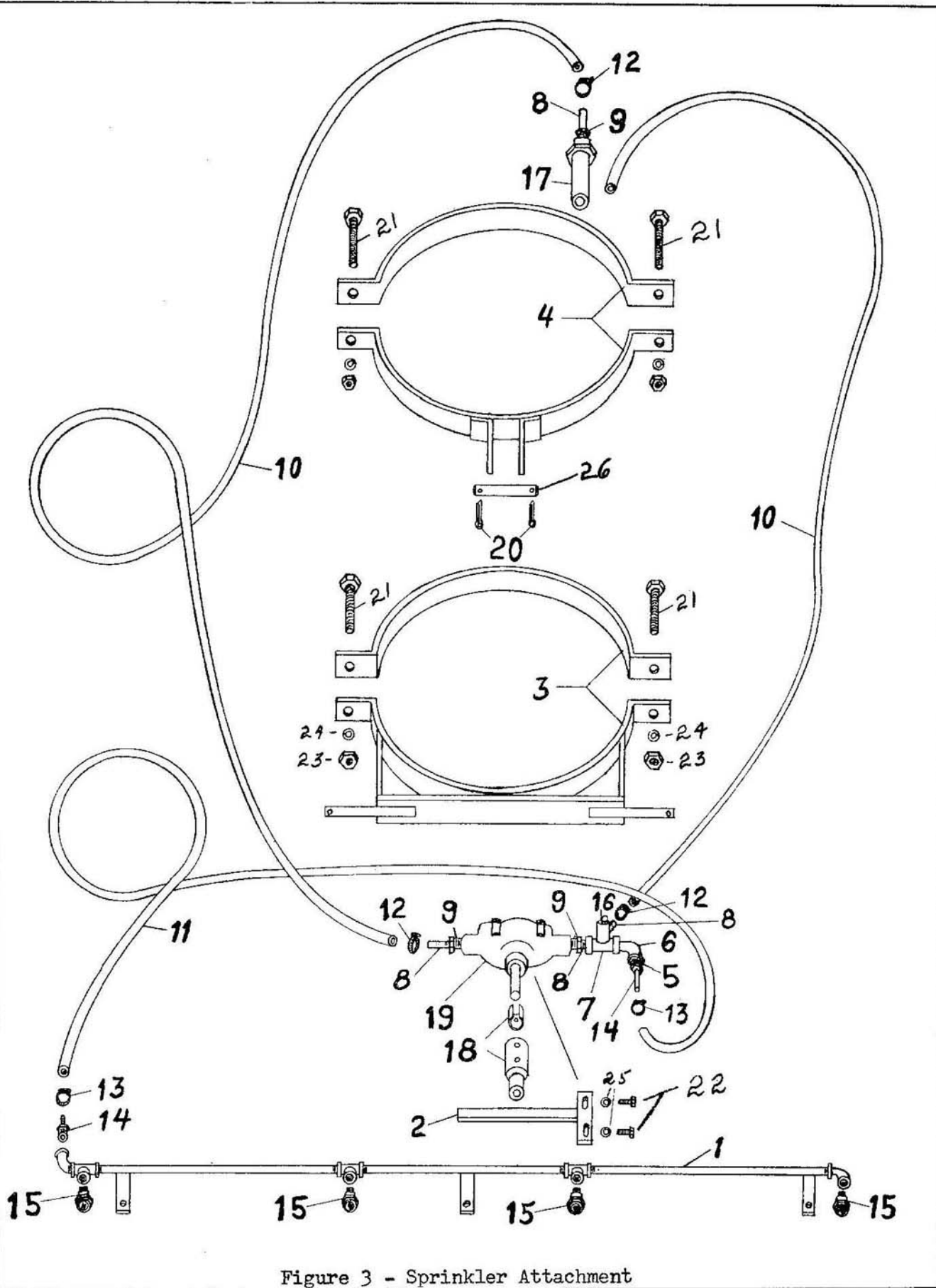


Figure 3 - Sprinkler Attachment

# SWEEPERS

FIG.	PART NO.	NAME AND DESCRIPTION	QTY. REQ.
3		<u>GROUP 2-2 PICK-UP SWEEPER SPRINKLER ATTACH</u>	19-264
1	198050	BOOM ASSEMBLY, Spray . . . . .	1
2	198047	ARM ASSEMBLY, Torque . . . . .	1
3	198066	BRACKET ASSEMBLY, Drum - Bottom . . . . .	1
4	198062	BRACKET ASSEMBLY, Drum - Upper . . . . .	1
5	370080-S NS	REDUCER, 1/2 to 1/4 Pipe - Reduce Lines to Barb Thrd Size	1
6	359498-S8B	ELBOW, 90° Str (1/2 - 1/4) . . . . .	1
7	198054	TEE, 1/2 x 1/2 x 1/2 . . . . .	1
8	304015-S	NIPPLE, 1/2 x 1-1/8 Pipe . . . . .	4
9	353831-S	REDUCER, 3/4 x 1/2 Std . . . . .	3
10	198051	HOSE, Water, 3/4 . . . . .	1
11	198052	HOSE, Water, 1/4 . . . . .	1
12	97243-S	CLAMP, Hose Solid Band . . . . .	3
13	AF-33505-A	CLAMP ASSEMBLY, Power Steering Return Line . . . . .	2
14	198058	BARB, Hose . . . . .	2
15	198057	NOZZLE, Spray . . . . .	4
16	198056	VALVE ASSY . . . . .	1
17	198055	STRAINER, Suction . . . . .	1
18	198134	COUPLING ASSEMBLY, Pump . . . . .	1
19	198059	PUMP ASSEMBLY, Water . . . . .	1
20	72075-S8	COTTER PIN, 1/4 x 1-1/2 . . . . .	2
21	302732-S8	BOLT, 7/16 - 1 1/2 x 3 Hex . . . . .	4
22	303175-S8	BOLT, 5/16 - 18 x 3/4 Hex . . . . .	2
23	34670-S7	NUT, 7/16 - 1 1/2 Hex . . . . .	4
24	34808-S7	LOCKWASHER, 7/16 . . . . .	4
25	34806-S7	LOCKWASHER, 5/16 . . . . .	2
26	198044	PIN, Mounting Upper . . . . .	1
---	198053	TEE, 1/4 x 1/4 x 1/4 . . . . .	3
---	304484-S	ELBOW, 1/4 x 90° Str - Provide Spray Pipe Inlet . . .	1
---	304521-S	ELBOW, 1/4 x 90° - Provide Spray Nozzle Outlet . . .	1
---	198061	WRAP, Drum Holder . . . . .	2

# SWEEPERS

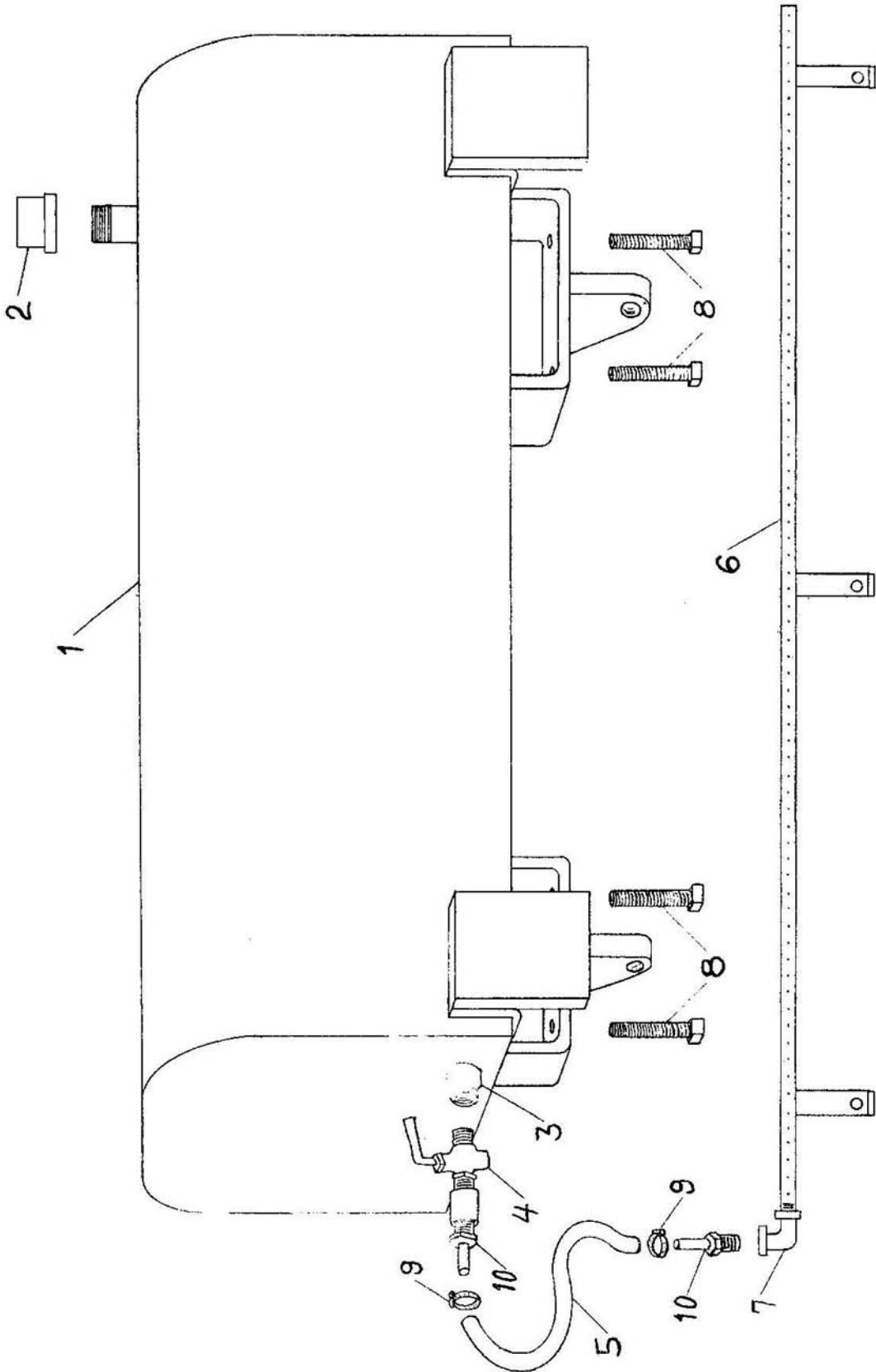


Figure 4 - Fork Lift Mounting Attach



# SWEEPERS

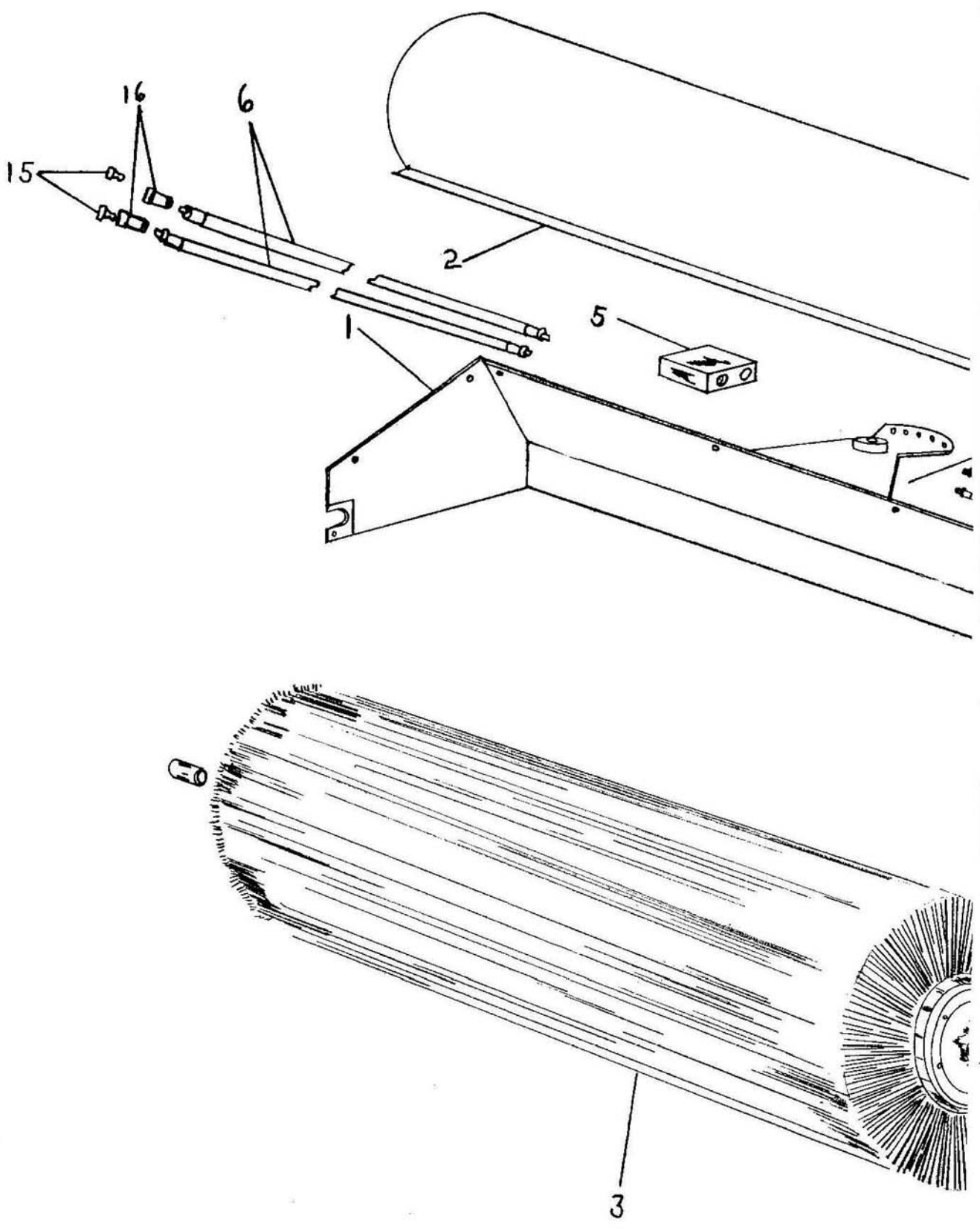
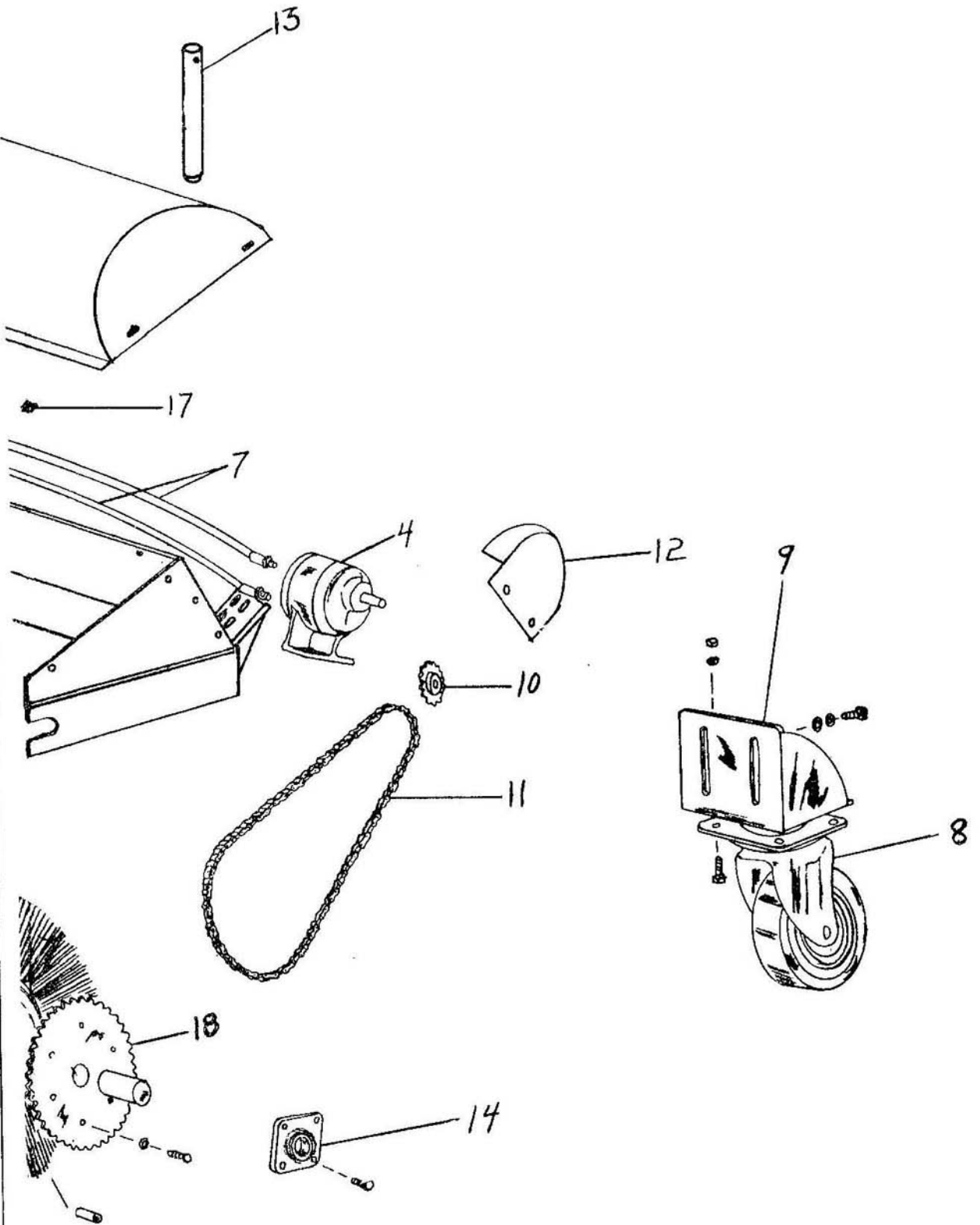


Figure 5 --

# SWEEPERS



-- 72" Angle Broom

# SWEEPERS

FIG.	PART NO.	NAME AND DESCRIPTION	QUANTITY REQUIRED		
			19-266	19-267	19-268
5		(19-266 - 60" Angle Broom GROUP 3-1 (19-267 - 72" Angle Broom <u>          (19-268 - 84" Angle Broom</u>			
1	197786	FRAME ASSEMBLY, 60" Angle . . . . .	1		
-	197765	FRAME ASSEMBLY, 72" Angle . . . . .		1	
-	197780	FRAME ASSEMBLY, 84" Angle . . . . .			1
2	197738	HOOD ASSEMBLY . . . . .	1		
-	197766	HOOD ASSEMBLY . . . . .		1	
-	197783	HOOD ASSEMBLY . . . . .			1
-	303175-S8	BOLT, 5/16 - 18 x 3/4 Hex) Hood to Frame	8	8	8
-	34806-S7	LOCKWASHER, 5/16 )	8	8	8
3	198133	BROOM ASSEMBLY, 60" Angle (100% Palmyra)	1		
-	197772	BROOM ASSEMBLY, 72" Angle (100% Palmyra)		1	
-	197781	BROOM ASSEMBLY, 84" Angle (100% Palmyra)			1
-	197764	CORE ASSEMBLY, Broom . . . . .	1		
4	197747	MOTOR ASSEMBLY, Hydraulic . . . . .	1	1	1
-	197840	SPACER, Motor )	2	2	2
-	302724-S8	BOLT, 7/16 - 14 x 1-3/4 Hex) Motor to	4	4	4
-	34808-S7	LOCKWASHER, 7/16 ) Motor Mount	4	4	4
-	34670-S7	NUT, 7/16 - 14 Hex )	4	4	4
5	197743	BLOCK, Hydraulic Cushion . . . . .	1	1	1
-	198562	SPACER )	2	2	2
-	302691-S8	BOLT, 3/8 - 16 x 2-3/4 Hex) Block to	2	2	2
-	34807-S7	LOCKWASHER, 3/8 ) Frame	2	2	2
-	33799-S8	NUT, 3/8 - 16 Hex )	2	2	2
6	197768	HOSE ASSEMBLY . . . . .	2	2	2
7	198042	HOSE ASSEMBLY . . . . .	2	2	2
8	197748	CASTOR ASSEMBLY, Broom . . . . .	2	2	2
		Consists of:			
-	198535	FORK ASSEMBLY, Castor Swivel . . . . .	2	2	2
-	198037	WHEEL ASSEMBLY, Castor . . . . .	2	2	2
-	198040	SPRING ASSEMBLY, Castor . . . . .	2	2	2
-	198038	BOLT, 3/4 - 16 x 4 ) Wheel & Spring	2	2	2
-	198039	WASHER, Thrust ) to Fork	4	4	4
-	198036	NUT, 3/4 - 16 Torque)	2	2	2
-	303241-S8	BOLT, 1/2 - 13 x 1-1/2 Hex) Castors to	8	8	8
-	34809-S8	LOCKWASHER, 1/2 ) Castor Mounting	8	8	8
-	33845-S8	NUT, 1/2 - 13 Hex ) Brackets	8	8	8
-	303201-S8	BOLT, 1/2 - 13 x 1 Hex) Castor Mounting	8	8	8
-	34809-S8	LOCKWASHER, 1/2 ) Brackets to	8	8	8
-	44735-S8	WASHER, 1/2 Flat ) Frame	8	8	8
9	197754	BRACKET ASSEMBLY, Castor Mounting . . . . .	2	2	2
10	197739	SPROCKET, 12 Tooth . . . . .	1		
--	197746	SPROCKET, 12 Tooth . . . . .		1	1
--	300138-S8	SCREW, 3/8 - 16 x 3/8 Hdless Cup Pt Set .	2	2	2



# SWEEPERS

FIG.	PART NO.	NAME AND DESCRIPTION	QUANTITY REQUIRED		
5		<u>GROUP 3-1 (Cont'd)</u>	19-266	19-267	19-268
11	197740 NS	CHAIN ASSEMBLY, 1/2", #40 (55 Links) . . .	1		
--		LINK, Riveted (Service from 173023)	55		
--	164152	LINK, Connector W/Snap Link . . . . .	1		
--	173023	CHAIN, 100 Link, 1/2" #40 . . . . .	AR		
--	197770 NS	CHAIN ASSEMBLY, 5/8", #50 (99 Links) . . .		1	1
--		LINK, Riveted (Service from 173025)		99	99
--	164115	LINK, Connector W/Snap Link . . . . .		1	1
--	173025	CHAIN, 100 Link, 5/8", #50 . . . . .		AR	AR
12	197751	GUARD ASSEMBLY, Broom Motor . . . . .	1	1	1
13	197745	PIN, 1-1/4 Dia x 15.25 Drilled . . . . .	1	1	1
14	197741	BEARING ASSEMBLY, Flange . . . . .	2		
--	197767	BEARING ASSEMBLY, Flange . . . . .		2	2
--	303177-S8	BOLT, 3/8 - 16 x 3/4 Hex ) Motor Guard	2	2	2
--	34807-S7	LOCKWASHER, 3/8 ) to Frame	2	2	2
--	33799-S8	NUT, 3/8 - 16 Hex )	2	2	2
--	303199-S8	BOLT, 7/16 - 14 x 1 Hex )	4		
--	303221-S8	BOLT, 1/2 - 13 x 1-1/4 Hex ) Flange Bearings		8	8
--	34808-S7	LOCKWASHER, 7/16 ) to Frame	4		
--	34809-S8	LOCKWASHER, 1/2 )		8	8
15	198025	COUPLING ASSEMBLY, Male . . . . .	4	4	4
16	198024	COUPLING ASSEMBLY, Female . . . . .	2	2	2
17	87901-S8	FITTING, 1/8 - 27 Str Lube - Pivot Pin . . .	1	1	1
18	197763	SPROCKET, 42 Tooth . . . . .	1		
--	197769	SPROCKET, 60 Tooth . . . . .		1	1
--	197744	SPACER )		6	6
--	303237-S	BOLT, 3/8 - 16 x 1-1/2 Hex ) Sprocket to		6	6
--	34807-S7	LOCKWASHER, 3/8 ) Broom		6	6
--	197771	SPACER . . . . .		1	1
--	164416	TUBE, Lift Hanger . . . . .		1	1
--	202234	DECAL . . . . .	1	1	1
3	198931	BROOM ASSEMBLY, 60" (25% Steel - 75% Palmyra) Model 19-266 . . . . .	1		
--	198932	BROOM ASSEMBLY, 72" (25% Steel - 75% Palmyra) Model 19-267 . . . . .		1	
--	198933	BROOM ASSEMBLY, 84" (25% Steel - 75% Palmyra) Model 19-268 . . . . .			1

# SWEEPERS

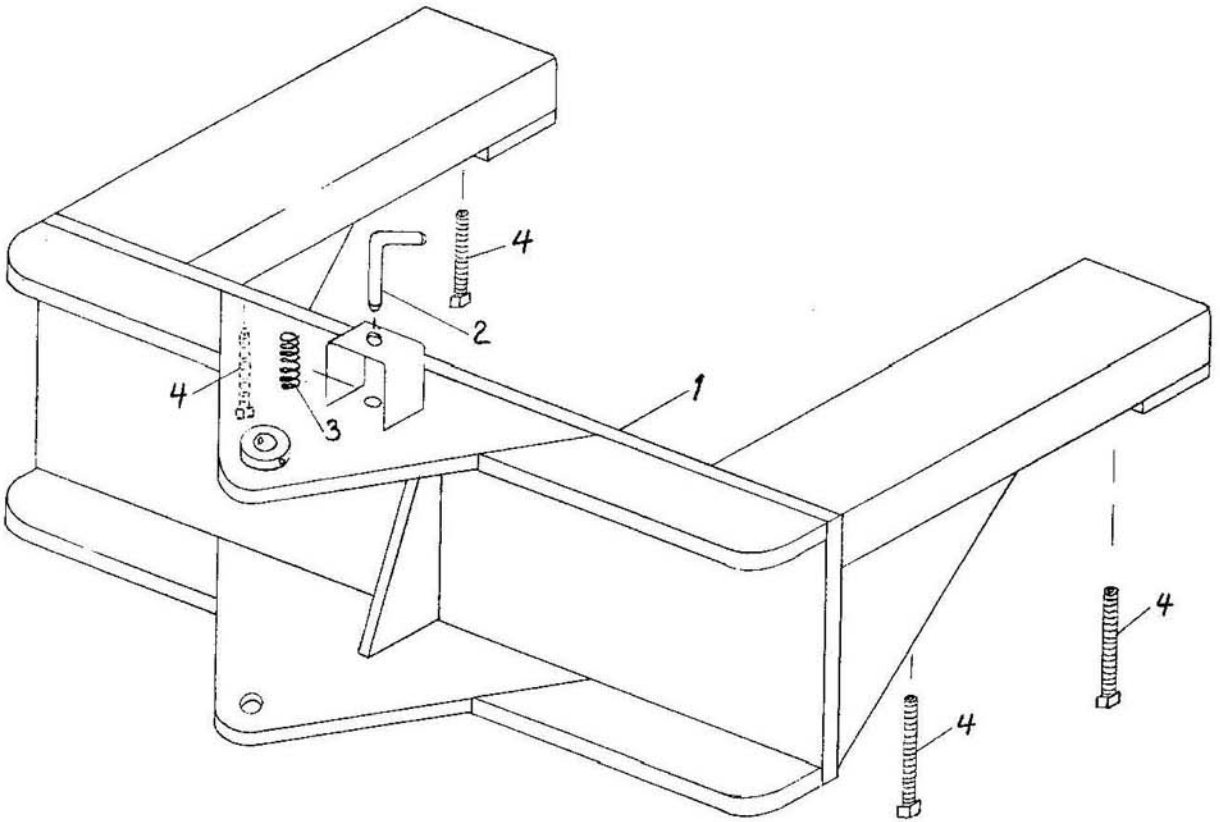


Figure 6 - Kit, Fork Lift Mounting

FIG.	PART NO.	NAME AND DESCRIPTION	QTY. REQ.
6		<u>GROUP 4-1 ANGLE TO FORK LIFT MOUNTING KIT</u>	19-273
1	197765	FRAME ASSEMBLY, 60" Angle Broom . . . . .	1
2	197916	PIN, Pivot Lock . . . . .	1
3	197915	SPRING, Pivot Lock . . . . .	1
-	44746-S8	WASHER, 3/4 Flat - Retain Spring . . . . .	1
-	72073-S8	COTTER PIN, 3/16 x 1-1/2 - Retain Pin to Yoke . . . . .	1
4	197913	SCREW, 3/4 - 10 x 6 - Yoke Arm to Fork Lift . . . . .	4
-	198208	ADAPTER, 37° Str. Male ) Hydraulic Lines to	1
-	198207	ADAPTER, 37° Str. Female ) Fork Lift Tractor	1
-	198663	REDUCER, 3/4 x 1/2 St. Ell) Hydraulics	1

# SWEEPERS

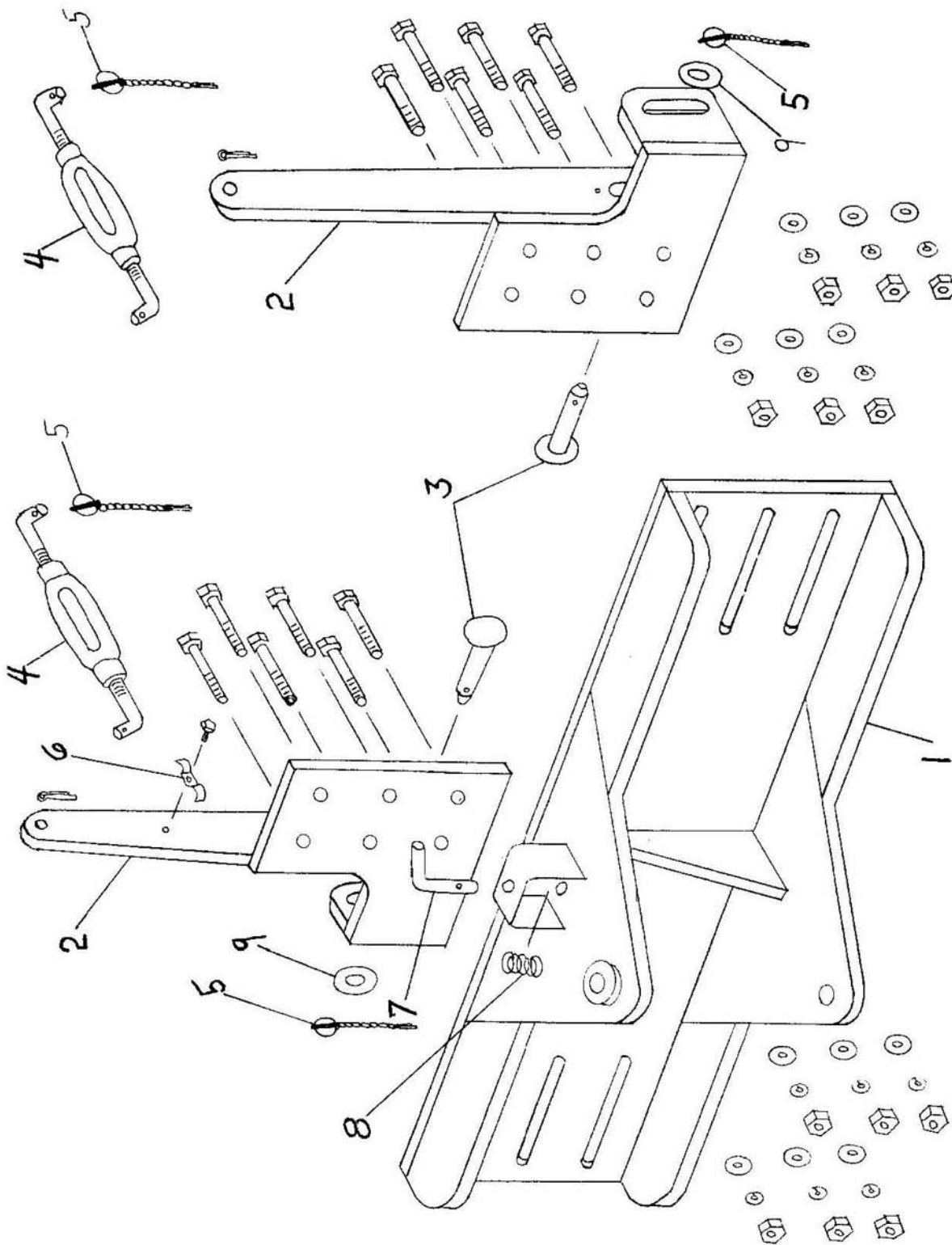


Figure 7 - Kit, Angle Broom to Loader Attaching

# SWEEPERS

FIG.	PART NO.	NAME AND DESCRIPTION	QTY. REQ.
7		<u>GROUP 4-2 ANGLE BROOM TO LOADER ATTACH KIT</u>	19-269
1	197931 NS	PLATE, Yoke . . . . .	1
2	197920 NS	ARM, Mounting Bracket . . . . .	2
3	197918	MOUNTING PIN . . . . .	2
-	197918	PIN, Lower Mounting . . . . .	2
-	303181-S8	BOLT, 1/2 - 13 x 3/4 Hex) . . . . .	4
-	44736-S8	WASHER, 1/2 Flat ) . . . . .	4
-	34809-S8	LOCKWASHER, 1/2 ) . . . . .	4
-	198209	TURNBUCKLE ASSEMBLY . . . . .	2
		Consists of:	
4	198023	PIN, Turnbuckle . . . . .	4
5	198041	PIN ASSEMBLY, Linch - Turnbuckle to Bracket . . . . .	2
-	72075-S8	COTTER PIN, 1/4 x 1-1/2 - Turnbuckle to Bracket Arm . . . . .	2
6	197742	CLIP, Hose . . . . .	1
-	303195-S8	BOLT, 5/16 - 18 x 1 Hex) . . . . .	1
-	34806-S7	LOCKWASHER, 5/16 ) . . . . .	1
-	197917	BRACKET, Turnbuckle . . . . .	2
7	197916	PIN, Pivot Lock . . . . .	1
8	197915	SPRING, Pivot Lock . . . . .	1
-	44746-S8	WASHER, 3/4 Flat - Retain Spring . . . . .	1
-	72073-S8	COTTER PIN, 3/16 x 1-1/2 - Pin to Yoke . . . . .	1
-	197914	YOKE ASSEMBLY, Angle Broom . . . . .	1
-	197922	BRACKET ASSEMBLY, Mounting, Right . . . . .	1
-	197923	BRACKET ASSEMBLY, Mounting, Left . . . . .	1
-	302772-S8	BOLT, 1/2 - 13 x 1-3/4 Hex) . . . . .	12
-	44734-S8	WASHER, 1/2 Flat ) . . . . .	12
-	34809-S8	LOCKWASHER, 1/2 ) . . . . .	12
-	33845-S8	NUT, 1/2 - 13 Hex ) . . . . .	12
-	198207	ADAPTOR, 37° Str Female . . . . .	AR
-	198208	ADAPTOR, 37° Str Male . . . . .	AR
-	358917-S	REDUCER, 1/2 to 3/8 . . . . .	AR
-	304008-S	NIPPLE, 3/8 x 1-1/8 Pipe . . . . .	AR

# SWEEPERS

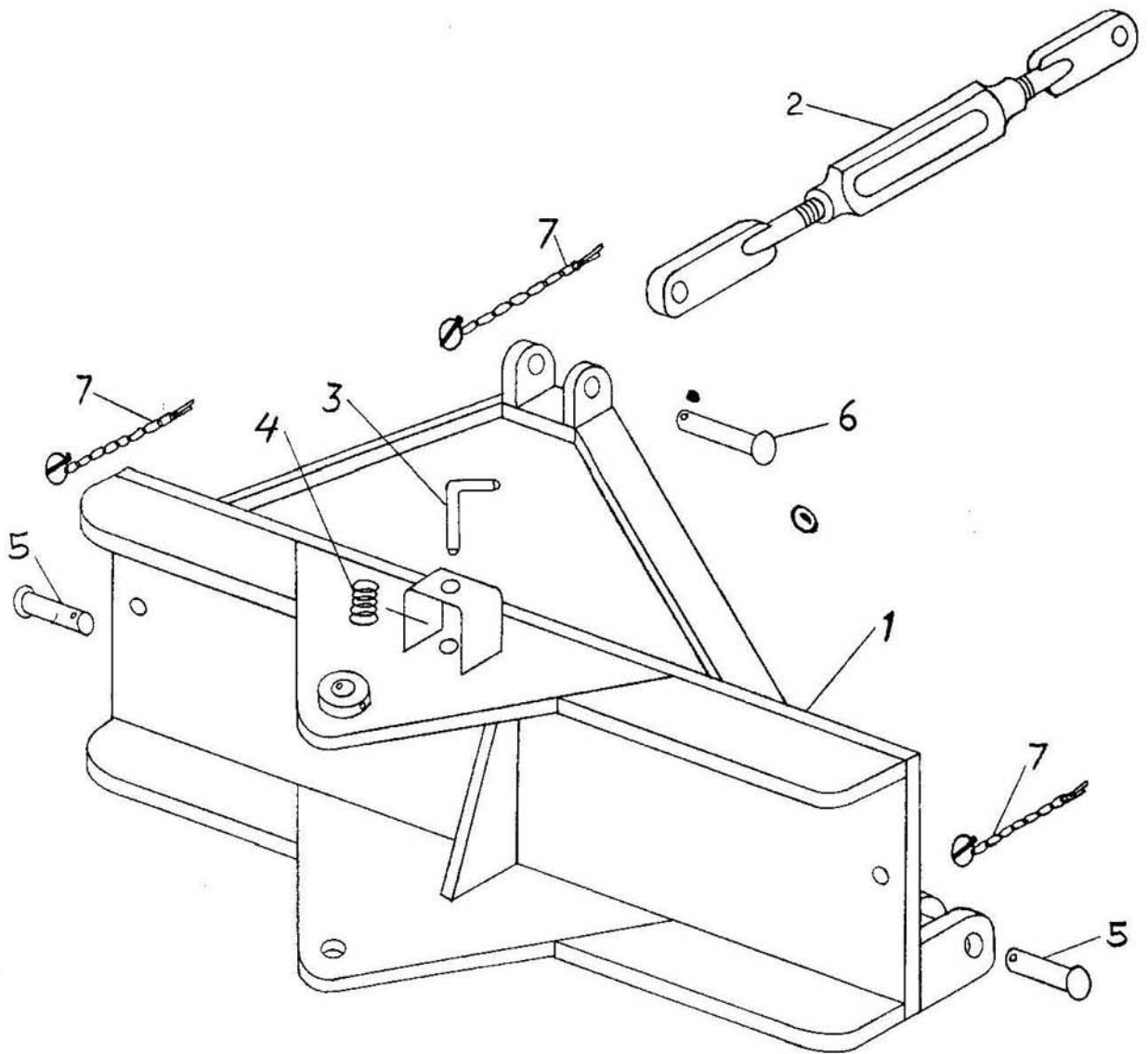


Figure 8 - Kit, Angle Broom to Tractor Attaching, Rear

FIG.	PART NO.	NAME AND DESCRIPTION	QTY. REQ.
8		<u>GROUP 4-3 ANGLE BROOM TO TRACTOR ATTACH KIT, REAR</u>	19-270
1		FRAME, Main . . . . .	1
2	197932	TURNBUCKLE ASSEMBLY . . . . .	1
3	197916	PIN, Pivot Lock . . . . .	1
4	197915	SPRING, 3/4 Flat . . . . .	1
-	44746-S8	WASHER, 3/4 Flat - Retain Spring . . . . .	1
-	72073-S8	COTTER PIN, 3/16 x 1-1/2 - Pin to Yoke . . . . .	1
5	197935	PIN ASSEMBLY, Lift Arm . . . . .	2
6	197936	PIN ASSEMBLY, Top Link . . . . .	1
7	198041	PIN ASSEMBLY, Linch - Turnbuckle (1) Lift Arms (2) . . . . .	3

# SWEEPERS

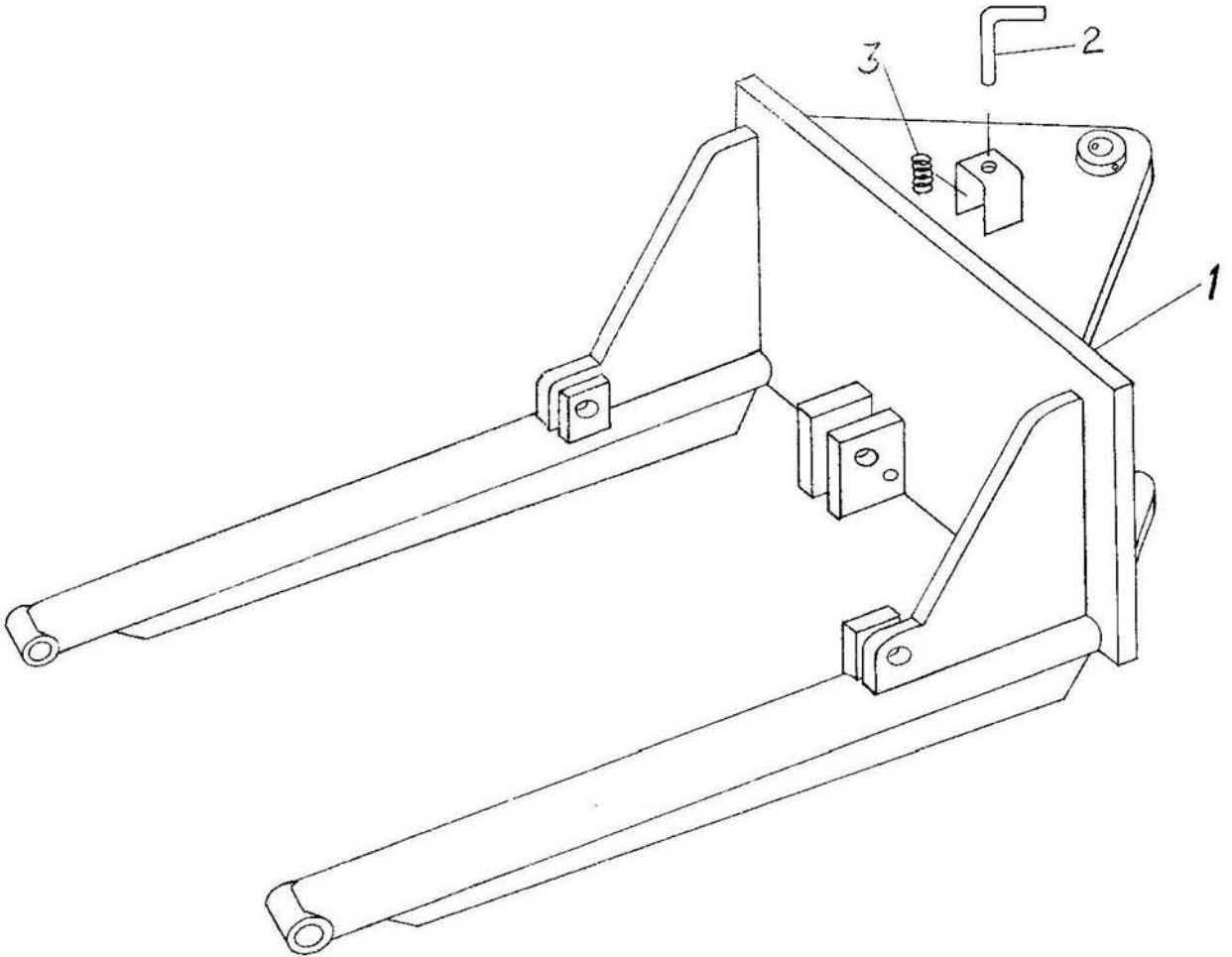


Figure 9 - Kit, Angle Broom to Dozer Frame Attaching

FIG.	PART NO.	NAME AND DESCRIPTION	QTY. REQ.
9		<u>GROUP 4-4 ANGLE BROOM TO DOZER FRAME ATTACH KIT</u>	19-272
1		FRAME, Main . . . . .	1
2	197916	PIN, Pivot, Lock . . . . .	1
3	197915	SPRING, Pivot Lock . . . . .	1
-	44746-S8	WASHER, 3/4 Flat . . . . .	1
-	72073-S8	COTTER PIN, 3/16 x 1-1/2 . . . . .	1

# SWEEPERS

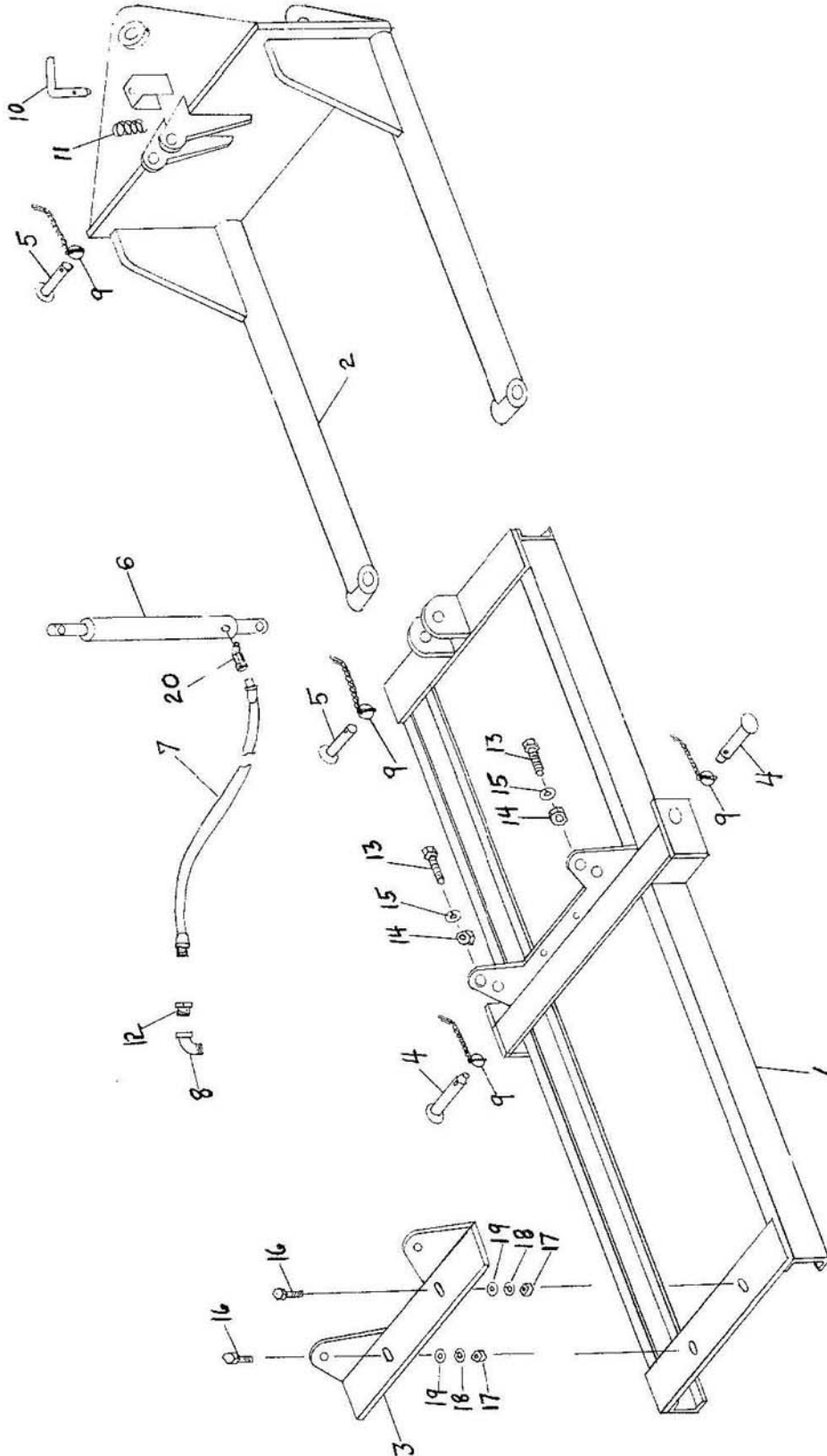


Figure 10 - Kit, Angle Broom to Tractor Attaching, Front

# SWEEPERS

FIG.	PART NO.	NAME AND DESCRIPTION	QTY. REQ.
10		<u>GROUP 4-5 ANGLE BROOM TO TRACTOR ATTACH KIT - FRONT</u>	19-271
1	198126	FRAME ASSEMBLY, Tractor Mounting . . . . .	1
2	198116	FRAME ASSEMBLY, Pivot . . . . .	1
3	198580	BRACKET, Adaptor . . . . .	AR
4	197838	PIN ASSEMBLY, Mounting Sweeper . . . . .	2
5	198112	PIN ASSEMBLY, Cylinder Mounting . . . . .	2
6	198113	CYLINDER ASSEMBLY, Broom . . . . .	1
		Consists of:	
-	198659	TUBE ASSEMBLY, Cylinder . . . . .	1
7	198003	HOSE ASSEMBLY, Hydraulic . . . . .	1
8	304503	ELBOW, 3/8 x 90° Street - Tractor Hydraulic to Cylinder	1
-	198658	ROD ASSEMBLY, Piston . . . . .	1
-	198576	RING, Piston Rod . . . . .	1
-	97533-S	RING, 1-1/4 Retaining - Piston Rod . . . . .	1
-	87049-S94	"O" RING, .750 ID - Seal between Piston & Piston Rod	1
-	198573	PISTON . . . . .	1
-	198574	CUP, Piston . . . . .	1
-	198575	FOLLOWER, Piston . . . . .	1
-	302234-S8	SCREW, 1/2 - 13 x 1 Socket Hd Cap) Follower and	1
-	34809-S8	LOCKWASHER, 1/2 ) Piston to Rod	1
-	198577	BUSHING, Piston Rod . . . . .	1
9	198041	PIN ASSEMBLY, Linch - Cylinder to Pivot & Mtg Frames	2
10	197916	PIN, Pivot Lock . . . . .	1
11	197915	SPRING, Pivot Lock . . . . .	1
--	44746-S8	WASHER, 3/4 Flat - Retain Spring . . . . .	1
12	190607	REDUCER, Bushing, 1/2 to 3/8 . . . . .	1
13	302964-S8	BOLT, 3/4 x 1-3/4 . . . . .	2
14	34674-S8	NUT, 3/4 - 10 Hex) . . . . .	2
15	34813-S7	LOCKWASHER, 3/4 ) Tractor Mtg Frame to Tractor	2
--	44746-S8	WASHER, 3/4 Flat ) . . . . .	2
16	302900-S8	BOLT, 5/8 - 11 x 1-3/4 Hex . . . . .	2
17	33849-S8	NUT, 5/8 - 11 Hex - Attach Mtg to 8N Tractor . . . . .	2
18	34811-S7	LOCKWASHER, 5/8 . . . . .	2
19	44743-S8	WASHER, 5/8 Flat . . . . .	2
20	198292	UNION, 45° . . . . .	1
--	97625-S	RING, 1-5/8 Retaining - Piston Rod . . . . .	1
--	198578	WIPER, Rod . . . . .	1



# SWEEPERS

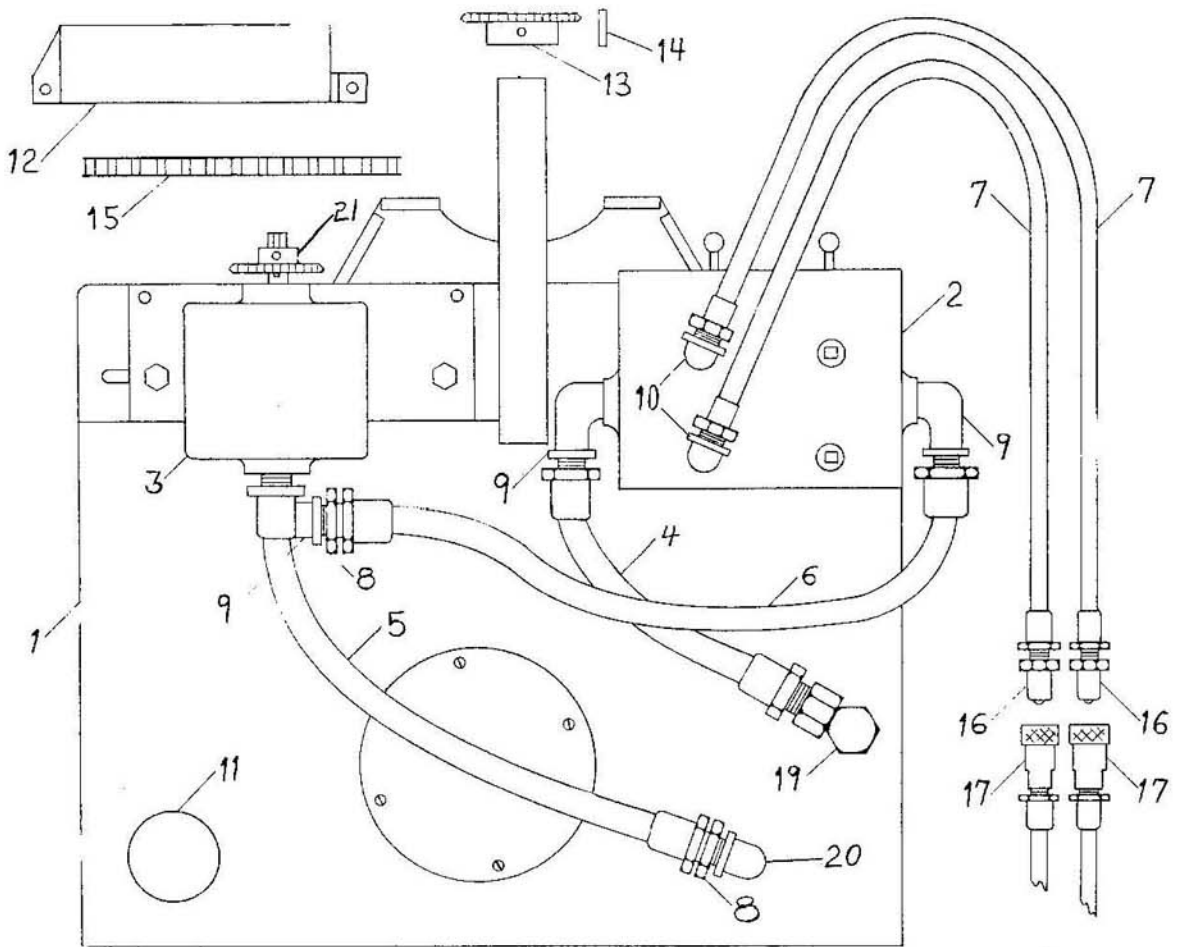


Figure 11 - Kit, Hydraulic, Angle Broom

FIG.	PART NO.	NAME AND DESCRIPTION	QTY. REQ.
11		<u>GROUP 4-6 HYDRAULIC ANGLE BROOM KIT</u>	19-274
1	198094	TANK ASSEMBLY, Hydraulic . . . . .	1
		Consists of:	
-	198088	COVER, Tank - Clean out . . . . .	1
2	198206	VALVE ASSEMBLY, 2 Spool Less Handles . . . . .	1
		Consists of:	
-	195810	CAP, Bonnet . . . . .	2
-	195841	RING, Internal Retaining . . . . .	2
-	195815	CAP . . . . .	2
-	35001-S8	SCREW, 1/4 - 20 x 1/2 Rd Hd Machine ) Spool to	2
-	351309-S7	WASHER, 1/4 Spec Internal Teeth Lock) Collar	2
-	195814	COLLAR . . . . .	1
-	195816	SPRING . . . . .	1
-	195820	SEAL . . . . .	4
-	195813	WASHER, .510 Flat . . . . .	1
-	198266	SPRING, End Cap Return . . . . .	1

# SWEEPERS

FIG.	PART NO.	NAME AND DESCRIPTION	QTY. REQ.
11		<u>GROUP 4-6 HYDRAULIC ANGLE BROOM KIT (Cont'd)</u>	19-274
-	198274	ADAPTOR, Detent Spring . . . . .	1
-	198270	CAP, Detent Spring . . . . .	1
-	198272	WASHER, Detent Spring Cap . . . . .	1
-	198268	SPRING, Detent . . . . .	1
-	198269	PIN, Detent . . . . .	1
-	197499	PLUG, Check Guide . . . . .	1
-	197498	CHECK, Relief . . . . .	2
-	197497	GUIDE, Check . . . . .	1
-	372997-S91	SEAL, .644 ID x .087 Wide "O" Ring - Oil Seal . . . . .	1
-	196469	BALL, 1/2 Dia . . . . .	1
-	195819	SPRING . . . . .	1
-	195840	GASKET, 1.00 ID x 1.25 OD x .06 Thick . . . . .	1
-	106149	CAP, Relief Valve . . . . .	1
-	87034-S91	"O" RING, .562 ID - Oil Seal . . . . .	2
-	195961	SHIM, 32 Gauge . . . . .	AR
3	197747	MOTOR ASSEMBLY, Hydraulic . . . . .	1
-	303219-S8	BOLT, 7/16 - 1 1/4 x 1-1/4 Hex )	4
-	34808-S	LOCKWASHER, 7/16 ) Motor to Motor Plate	4
4	198081	HOSE ASSEMBLY, Hydraulic . . . . .	1
5	198078	HOSE ASSEMBLY, Hydraulic . . . . .	1
6	198079	HOSE ASSEMBLY, Hydraulic . . . . .	1
7	198080	HOSE ASSEMBLY, Hydraulic . . . . .	1
8	198071	SWIVEL, 3/4 . . . . .	3
9	360022	ELBOW, 3/4 x 90° Street )	3
10	359498-S8B	ELBOW, 90° Street (1/2 - 1 1/4) ) Hose Connections	2
11	196128	CAP, 1" Pipe . . . . .	1
--	87604-S	PLUG, 1/2 - 1 1/4 Pipe - Tank . . . . .	1
12	198073	GUARD ASSEMBLY, Chain . . . . .	1
13	198076	SPROCKET, 28 Tooth . . . . .	1
14		KEY, Straight . . . . .	1
15	198077 NS	CHAIN ASSEMBLY, 39 Links, 1/2", #40 . . . . .	1
--		LINK, Riveted (Service from 173023) . . . . .	39
--	164152	LINK, Connector W/Snap Link . . . . .	1
--	173023	CHAIN, 100 Links 1/2", #40 . . . . .	AR
16	198025	QUICK COUPLER, Male . . . . .	2
17	198024	QUICK COUPLER, Female . . . . .	2
18	87604-S	PLUG, 1/2 - 1 1/4 Pipe - Plug unused Ports . . . . .	2
19		SWIVEL, 90° - Male - Female . . . . .	1
20	304578-S	ELBOW, 3/4 x 90° . . . . .	1
21	197739	SPROCKET, 12 Tooth . . . . .	1

# SWEEPERS

FIG.	PART NO.	NAME AND DESCRIPTION	QTY. REQ.
11		<u>GROUP 4-6 HYDRAULIC ANGLE BROOM KIT (Cont'd)</u>	19-274
--	300140-S8	SCREW, 5/16 - 18 x 3/8 Hdless Cup Pt - 28 Tooth Sprocket to PTO Shaft . . . . .	3
--	300138-S8	SCREW, 3/8 - 16 x 3/8 Hdless Cup Pt - 12 Tooth Sprocket to Hydraulic Motor . . . . .	2
--	303175-S8	BOLT, 5/16 - 18 x 3/4 Hex)	2
--	34806-S7	LOCKWASHER, 5/16 ) Chain Guard to Motor Plate	2
--		COVER, Tank Clean-out . . . . .	1
--	198072	PLATE, Motor . . . . .	1
--	303241-S8	BOLT, 1/2 - 13 x 1-1/2 Hex)	2
--	34809-S8	LOCKWASHER, 1/2 )	2
--	44734-S8	WASHER, 1/2 Flat ) Motor Plate to Tank	2
--	33845-S8	NUT, 1/2 - 13 Hex )	2
--	105256	HANDLE, Control Valve . . . . .	2
--	73932-S8	PIN, 1/4 x 1-1/4 Clevis)	2
--	72003-S8	COTTER PIN, 1/16 x 1/2 ) Handles to Spool	2
--	195842	LINK ASSEMBLY, Connecting - Handles to Valve . . . . .	2
--	302690-S8	BOLT, 3/8 - 16 x 2-1/2 Hex)	2
--	34807-S7	LOCKWASHER, 3/8 ) Valve to Tank	2
--	33799-S8	NUT, 3/8 - 16 Hex )	2

# SWEEPERS

## NUMERICAL INDEX

AF-33505-A	Clamp	9,11	197742	Clip	4,19
105256	Handle	26	197743	Block	14
106149	Cap	25	197744	Spacer	4,15
164115	Link	15	197745	Pin	15
164152	Link	4,7,15,25	197746	Sprocket	14
164416	Tube	15	197747	Motor Assy	4,14,25
173023	Chain	4,7,15,25	197748	Castor Assy	5,14
173025	Chain	15	197751	Guard Assy	15
190607	Reducer	23	197754	Bracket Assy	14
195810	Cap	26	197763	Sprocket	4,15
195813	Washer	24	197764	Core	5,14
195814	Collar	24	197765	Frame	14,16
195815	Cap	24	197766	Hood Assy	14
195816	Spring	24	197767	Bearing Assy	15
195819	Spring	25	197768	Hose Assy	14
195820	Seal	24	197769	Sprocket	15
195840	Gasket	25	197771	Spacer	15
195841	Ring	24	197772	Broom	14
195842	Link Assy	26	197780	Frame	14
195961	Shim	25	197781	Broom	14
196128	Cap	25	197783	Hood Assy	14
196469	Ball	25	197786	Frame	14
197497	Guide	25	197799	Frame	4
197498	Check	25	197825	Hood Assy	4
197499	Plug	25	197826	Hose Assy	4
197710	Shroud	7	197827	Stop	4
197713	Spindle	7	197828	Nut	4
197717	Arm Assy	7	197833	Clamp	4
197721	Arm Assy	7	197834	Shroud	4
197724	Shaft	7	197835	Shroud	4
197726	Bearing	7	197836	Clamp	4
197727	Key	7	197837	Sprocket	4
197728	Bristle	7	197838	Pin Assy	4,23
197729	Washer	7	197840	Spacer	4,14
197730	Bar	7	197841	Ring	4
197731	Plate	7	197842	Cable	4
197732	Plate	7	197843	Guide	4
197738	Hood Assy	14	197844	Spring	4
197739	Sprocket	4,14,25	197845	Pin	4
197741	Bearing Assy	4,15	197846	Rod Assy	4

# SWEEPERS

## NUMERICAL INDEX (Cont'd)

197849	Mounting Assy . . . . .	4	198055	Strainer . . . . .	9
197853	Arm Assy. . . . .	4	198056	Valve Assy . . . . .	9
197859	Arm Assy . . . . .	4	198057	Nozzle . . . . .	9
197867	Dust Pan . . . . .	4	198058	Barb . . . . .	9,11
197913	Screw . . . . .	16	198059	Pump Assy . . . . .	9
197911	Yoke Assy . . . . .	19	198061	Wrap . . . . .	9
197915	Spring . . . . .	16,19,20,21,23	198062	Bracket . . . . .	9
197916	Pin . . . . .	16,19,20,21,23	198066	Bracket . . . . .	9
197917	Bracket . . . . .	19	198071	Swivel . . . . .	25
197918	Pin . . . . .	9,19	198072	Plate . . . . .	26
197922	Bracket Assy . . . . .	19	198073	Guard Assy . . . . .	25
197923	Bracket Assy . . . . .	19	198076	Sprocket . . . . .	25
197932	Turnbuckle Assy . . . . .	20	198078	Hose Assy . . . . .	25
197935	Pin Assy . . . . .	20	198079	Hose Assy . . . . .	25
197936	Pin Assy . . . . .	20	198080	Hose Assy . . . . .	25
198003	Hose Assy . . . . .	23	198081	Hose Assy . . . . .	25
198023	Pin . . . . .	19	198088	Cover . . . . .	24
198024	Coupling . . . . .	5,15,25	198094	Tank Assy . . . . .	24
198025	Coupling . . . . .	5,15,25	198102	Cap . . . . .	11
198026	Pulley . . . . .	7	198104	Petcock . . . . .	11
198027	Belt . . . . .	7	198105	Hose . . . . .	11
198028	Spacer . . . . .	7	198106	Coupling . . . . .	11
198029	Bar . . . . .	7	198108	Sprinkler . . . . .	11
198030	Shroud . . . . .	7	198112	Pin Assy . . . . .	23
198031	Bearing . . . . .	4	198113	Cylinder Assy . . . . .	23
198034	Washer . . . . .	4	198116	Frame . . . . .	23
198036	Nut . . . . .	5,14	198126	Frame . . . . .	23
198037	Wheel Assy . . . . .	5,14	198133	Broom Assy . . . . .	5,14
198038	Bolt . . . . .	5,14	198134	Coupling . . . . .	9
198039	Washer . . . . .	5,14	198206	Valve Assy . . . . .	24
198040	Spring . . . . .	5,14	198207	Adapter . . . . .	5,11,16,19
198041	Pin Assy . . . . .	4,19,20,23	198208	Adapter . . . . .	5,11,16,19
198042	Hose Assy . . . . .	14	198209	Turnbuckle . . . . .	19
198044	Pin . . . . .	9	198266	Spring . . . . .	24
198047	Arm Assy . . . . .	9	198268	Spring . . . . .	25
198050	Boom Assy . . . . .	9	198269	Pin . . . . .	25
198051	Hose . . . . .	9	198270	Cap . . . . .	25
198052	Hose . . . . .	9	198272	Washer . . . . .	25
198053	Tee . . . . .	9	198274	Adapter . . . . .	25
198054	Tee . . . . .	9	198292	Union . . . . .	23

# SWEEPERS

## NUMERICAL INDEX (Cont'd)

<p>198535 Fork Assy . . . . . 5,14            198537 Clamp . . . . . 4            198562 Spacer . . . . . 14            198569 Screw . . . . . 7            198573 Piston . . . . . 23              198574 Cup . . . . . 23            198575 Follower . . . . . 23            198576 Ring . . . . . 23            198577 Bushing . . . . . 23            198578 Wiper . . . . . 23              198580 Bracket . . . . . 23            198581 Tank Assy . . . . . 11            198658 Rod Assy . . . . . 23            198659 Tube Assy . . . . . 23            198663 Reducer . . . . . 11,16              300138-S8 Screw . . . . . 4,14,26            300140-S8 Screw . . . . . 26            302234-S8 Screw . . . . . 23            302690-S8 Bolt . . . . . 26            302691-S8 Bolt . . . . . 14              302724-S8 Bolt . . . . . 5,14            302726-S8 Bolt . . . . . 5            302732-S8 Bolt . . . . . 9            302772-S8 Bolt . . . . . 19            302774-S Bolt . . . . . 5</p>	<p>302900-S8 Bolt . . . . . 23            302964-S8 Bolt . . . . . 23            303175-S8 Bolt . . . . . 5,7,9,14,26            303177-S8 Bolt . . . . . 15            303181-S8 Bolt . . . . . 5,19              303195-S8 Bolt . . . . . 7,19            303197-S8 Bolt . . . . . 5            303199-S8 Bolt . . . . . 5,15            303201-S8 Bolt . . . . . 7,14            303219-S8 Bolt . . . . . 25              303221-S8 Bolt . . . . . 5,15            303237-S Bolt . . . . . 15            303239-S8 Bolt . . . . . 7            303241-S8 Bolt . . . . . 14,26            304008-S Nipple . . . . . 5,19              304015-S Nipple . . . . . 9            304484-S Elbow . . . . . 9            304503 Elbow . . . . . 23            304521-S Elbow . . . . . 9,11            304578-S Elbow . . . . . 25              351309-S7 Washer . . . . . 24            353831-S Reducer . . . . . 4,9            358917-S Reducer . . . . . 5,19            359498-S8B Elbow . . . . . 9,25            360022 Elbow . . . . . 25            372997-S91 Seal . . . . . 25</p>
--	--

### DECAL

202234 Decal 5, 15

THERE IS NO SUBSTITUTE FOR THE GENUINE

Inferior or non-genuine parts can prove to be a hazardous and costly investment for both the dealer and his customer. Top operating performance of Ford Tractors and Equipment can only be maintained through continued use of genuine Ford Tractor and Equipment parts. The use of non-genuine parts often results in short life and higher cost in the long run.

Every genuine Ford part you sell has been designed, tested, manufactured, inspected and is guaranteed to be an exact replacement part. Further, each part bears the Ford name -- a name known and respected everywhere for top quality and integrity.

It's just good business to offer your customers the best.

Sell Ford and Ford will help you sell!